

(1)	(2)	(3)	(4)	(5)	(6)	(7)	(8)
ILLUS.	(a)	SMR	NATIONAL	PART		DESCRIPTION	QTY
FIG.	ITEM	STOCK	STOCK	NUMBER	FSCM		U/M
NO.	NO.	CODE	NUMBER			USABLE ON CODE	INC
							IN
							UNIT
						GROUP 18-BODY,CAB,HOOD,AND HULL	
						1801-BODY,CAB,HOOD AND HULL ASSEMBLIES	
130	1	PAFZZ	2510-00-737-2739	7372739	19207	RETAINER: RIGHT SIDE PANEL	EA 1
130	2	PAFZZ	2510-00-208-7535	7397924	19207	PANEL: HOOD,RIGHT SIDE(M44)	EA 1
130	2	PAFZZ	2510-00-400-7083	10872025	19207	PANEL: HOOD,RIGHT SIDE (M44A1,M44A2)	EA 1
130	3	PAOZZ	5340-00-753-9201	7539201	19207	BUMPER,RUBBER: HOOD SIDE PANEL	EA 3
130	4	PAOZZ	5305-00-432-4170	51861-35	96906	SCREW,TAPPING,THREAD	EA 1
130	5	PAOZZ	5340-00-753-9220	7539220	19207	BUMPER,RUBBER: SIDE PANEL	EA 1
131	1	PAOZZ	5340-00-753-9201	7539201	19207	BUMPER,RUBBER: HOOD SIDE PANEL	EA 3
131	2	PAFZZ	5310-00-959-7600	MS51922-5	96906	NUT,SELF-LOCKING	EA 12
131	3	PAFZZ	5310-00-809-4058	MS27183-10	96906	WASHER,FLAT	EA 8
131	4	PAFZZ	5305-00-993-2461	MS35207-281	96906	SCREW,MACHINE(M44)	EA 12
131	4	PAFZZ	5305-00-993-2738	MS35207-280	96906	SCREW,MACHINE(M44A1,M44A2)	EA 12
131	5	PAFZZ	5340-00-997-2398	10871579	19207	HINGE,BUTT: LEFT SIDE	EA 1
131	5	PAFZZ	2540-00-179-3433	10871580	19207	HINGE,BUTT: RIGHT SIDE	EA 1
131	6	XBFZZ		7322740	19207	HINGE,BUTT: RIGHT SIDE	EA 1
131	6	PAFZZ	5340-00-753-9196	7539196	19207	HINGE,BUTT: LEFT SIDE	EA 1
131	7	PAFZZ	5340-00-693-0595	7372737	19207	RETAINER,HOOD: LEFT SIDE PANEL HINGE	EA 1
131	8	PAFZZ	5340-00-753-9222	7539222	19207	CATCH: SIDE PANEL, RIGHT REAR AND LEFT FRONT	EA 2
131	9	PAFZZ	2540-00-709-5879	7539221	19207	CATCH,RUNNING BOARD	EA 2
131	10	PAFZZ	2510-00-208-7534	7397923	19207	PANEL: HOOD,LEFT SIDE AA	EA 1
131	10	PAFZZ	2510-00-208-7535	7397924	19207	PANEL: HOOD,RIGHT SIDE AA	EA 1
131	10	PAFZZ	2510-00-179-5669	10872024	19207	PANEL: HOOD,LEFT SIDE AB,AC	EA 1
131	10	PAFZZ	2510-00-400-7083	10872025	19207	PANEL: HOOD,RIGHT SIDE AB,AC	EA 1
131	11	PAOZZ	5305-00-432-4170	51861-35	96906	SCREW,TAPPING,THREAD	EA 1
131	12	PAOZZ	5340-00-753-9220	7539220	19207	BUMPER,RUBBER: SIDE PANEL	EA 1
131	13	PAOZZ	2510-00-753-9219	7539219	19207	BRACKET,SIDE PANEL CATCH	EA 2
132	1	PAFZZ	5310-00-959-7600	MS51922-5	96906	NUT,SELF-LOCKING	EA 18
132	1	PAOZZ	5310-00-959-7600	MS51922-5	96906	NUT,SELF-LOCKING	EA 2
132	2	PAFZZ	5305-00-068-0504	MS90726-3	96906	SCREW,CAP,HEXAGON HEAD	EA 14
132	2	PAOZZ	5305-00-068-0504	MS90726-3	96906	SCREW,CAP,HEXAGON HEAD	EA 2

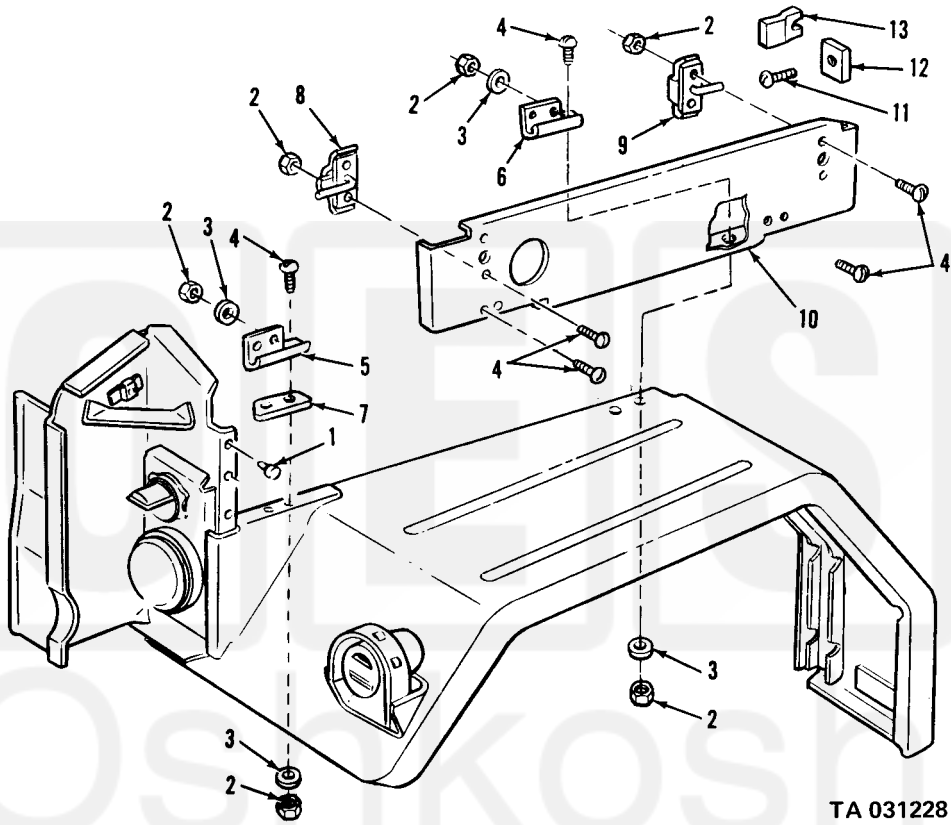
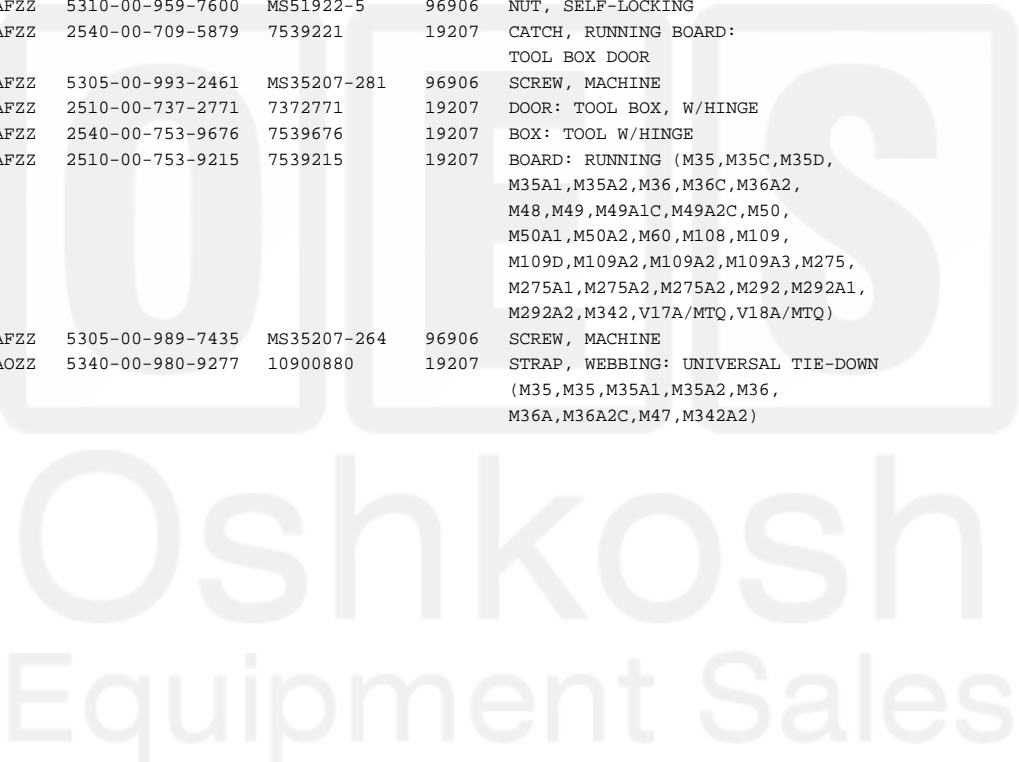


Figure 131. Left hood side panel.

(1)	(2)	(3)	(4)	(5)	(6)	(7)	(8)
ILLUS.							QTY
(a)	(b)	SMR	NATIONAL	PART		DESCRIPTION	U/M
FIG.	ITEM	STOCK	STOCK	NUMBER	FSCM		INC
NO.	NO.	CODE	NUMBER			USABLE ON CODE	IN
							UNIT
						1808-STOWAGE RACKS, BOXES, STRAPS, CARRYING CASES, CABLE REELS, HOSE REELS, ETC.	
143	1	PAOZZ	5310-00-959-1488	MS51922-21	96906	NUT, SELF-LOCKING	EA 6
143	2	PAOZZ	2590-00-473-6331	6566675	19207	BRACKET, DRUM: LIQUID CONTAINER	EA 1
143	3	PAOZZ	5305-00-269-2801	MS90726-58	96906	SCREW, CAP, HEXAGON HEAD	EA 4
143	4	PAOZZ	5305-00-269-2803	MS90726-60	96906	SCREW, CAP, HEXAGON HEAD	EA 4
143	5	PAOZZ	2540-00-968-4060	8690527	19207	STRAP, WEBBING: LIQUID DRUM BRACKET	EA 1
143	6	PAOZZ	2590-00-473-6331	7064504	19207	BODY: INFLAMMABLE LIQUID DRUM BRACKET GASOLINE	EA 1
143	7	PAFZZ	5305-00-267-8979	MS90726-13	96906	SCREW, CAP, HEXAGON HEAD	EA 4
143	8	PAFZZ	5310-00-877-5797	MS21044N3	96906	NUT, SELF-LOCKING	EA 8
143	9	PAFZZ	5305-00-068-0506	MS90726-6	96906	SCREW, CAP, HEXAGON HEAD	EA 18
143	10	PAFZZ	5305-00-989-7434	MS35207-263	96906	SCREW, MACHINE	EA 4
143	11	PAFZZ	5310-00-959-7600	MS51922-5	96906	NUT, SELF-LOCKING	EA 20
143	12	PAFZZ	2540-00-709-5879	7539221	19207	CATCH, RUNNING BOARD: TOOL BOX DOOR	EA 1
143	13	PAFZZ	5305-00-993-2461	MS35207-281	96906	SCREW, MACHINE	EA 2
143	14	PAFZZ	2510-00-737-2771	7372771	19207	DOOR: TOOL BOX, W/HINGE	EA 1
143	15	PAFZZ	2540-00-753-9676	7539676	19207	BOX: TOOL W/HINGE	EA 1
143	16	PAFZZ	2510-00-753-9215	7539215	19207	BOARD: RUNNING (M35,M35C,M35D, M35A1,M35A2,M36,M36C,M36A2, M48,M49,M49A1C,M49A2C,M50, M50A1,M50A2,M60,M108,M109, M109D,M109A2,M109A2,M109A3,M275, M275A1,M275A2,M275A2,M292,M292A1, M292A2,M342,V17A/MTQ,V18A/MTQ)	EA 2
143	17	PAFZZ	5305-00-989-7435	MS35207-264	96906	SCREW, MACHINE	EA 1
144	1	PAOZZ	5340-00-980-9277	10900880	19207	STRAP, WEBBING: UNIVERSAL TIE-DOWN (M35,M35,M35A1,M35A2,M36, M36A,M36A2C,M47,M342A2)	EA 10



Current part is item (9,12) on diagram. Available at www.oshkoshequipment.com

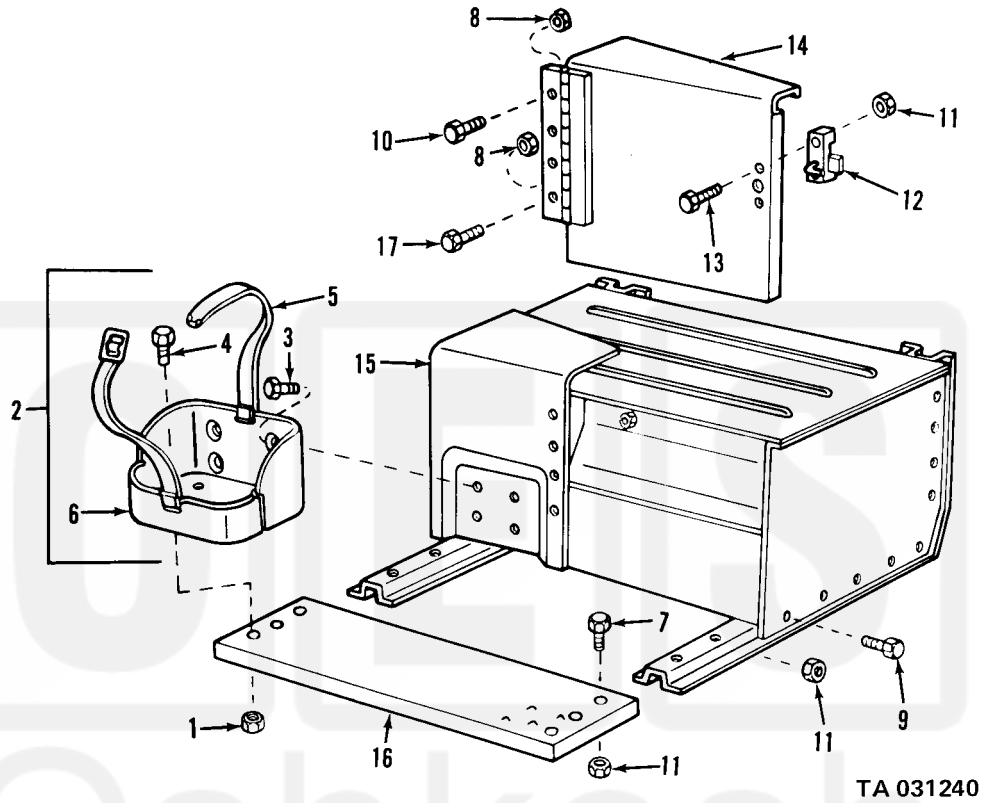


Figure 143. Tool box and running board.

Oshkosh
Equipment Sales

Current part is item (9,12) on diagram. Available at www.oshkoshequipment.com